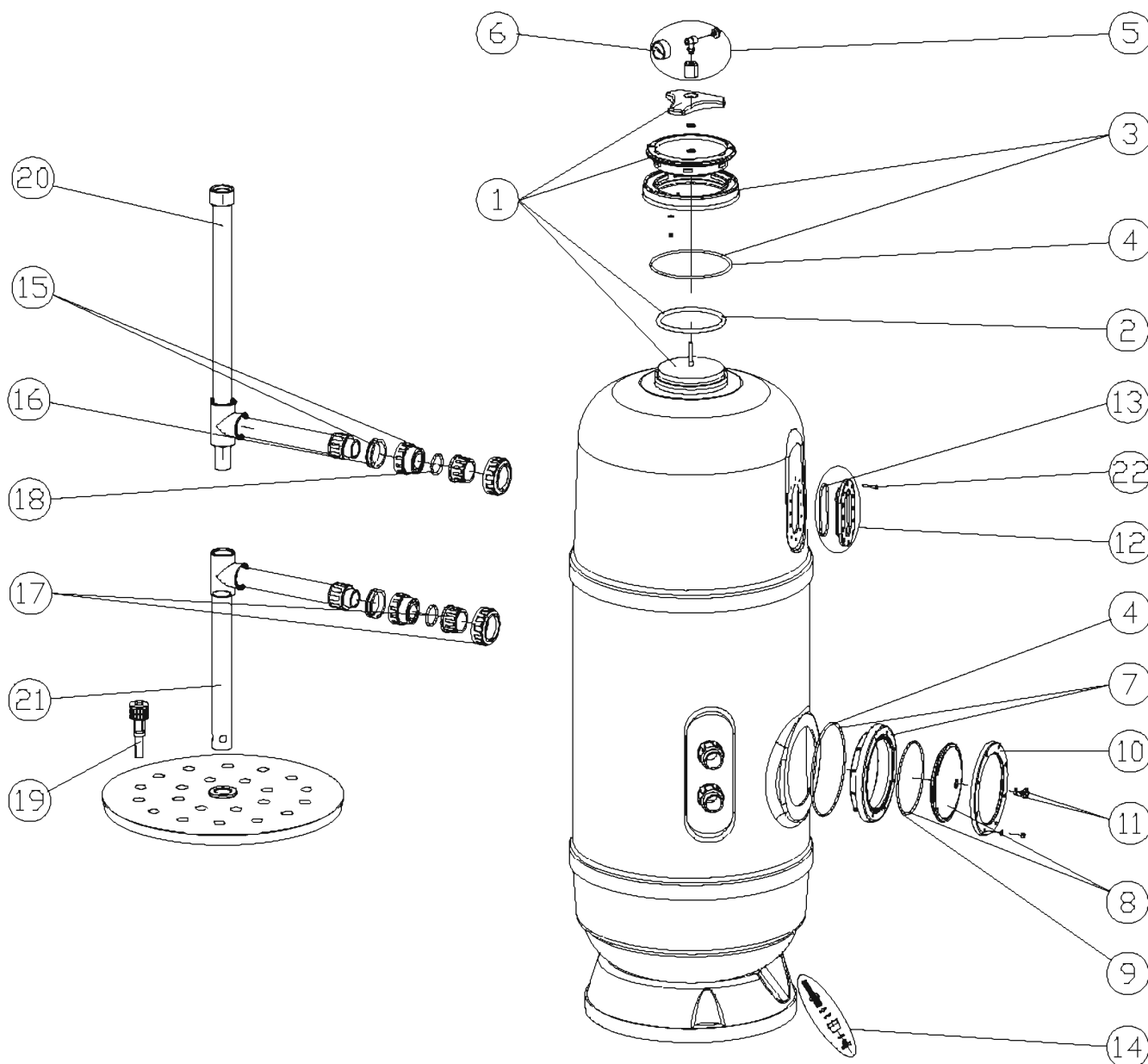


CODIGO : 04973 04962
DESCRIPCION : FILTROS PTK CREPINAS 1200 M/M. D. 650 - 800



Pos.	CODIGO	DENOMINACION	Pos.	CODIGO	DENOMINACION
1	4404020102	TAPA RAPID COMPLETA	15	4404020103	RACORD 1 1/2"+JUNTA CONCAVA
2	4404020111	JUNTA TAPA	15	4404020203	RACORD 2"+JUNTA CONCAVA
3	4404020108	ARO TAPA COMPLETO	18	4404020112	JUNTA CONCAVA 1 1/2"
4	4404020118	JUNTA TORICA 255X4	18	4404020211	JUNTA CONCAVA 2"
5	4404020101	MANOMETRO 1/8" COMPLETO	17	4404301902	ENLACE 1 1/2"
6	4404010103	MANOMETRO 1/8" 3KG/CM.	17	4404301903	ENLACE 2"
7	4404160809	ARO CUELLO 20 TORNILLOS	18	4404301901	JUNTA ENLACE 1 1/2" - 2"
8	4404160847	TAPA FILTRO D. 220 NEGRA	19	4404161635	CREPINA 0,5 MM
9	4404260106	JUNTA ARO FIJACION VALVULA	20	04973R0062	CONJ.DIFUSOR D.650 - 1200
10	4404160849	ARO FIJACION TAPA	20	04962R0062	CONJ.DIFUSOR D.800 - 1200
11	4404040113	TAPON PURGA Y JUNTA	21	04973R0061	CONJ.COLECTOR D.650 - 1200
12	4404161510	MIRILLA FILTRO CON JUNTA	21	04962R0061	CONJ.COLECTOR D.800 - 1200
13	4404301916	JUNTA MIRILLA	22	70107R06016	TORNILLO DIN-912 M-6X16
14	4404010108	PURGA AGUA 3/8"			

ENGLISH

POS.	CODE	DESCRIPTION	POS.	CODE	DESCRIPTION
1	4404020102	QUICK CLOSING LID UNIT	15	4404020103	1 1/2" FITTING + CONCAVE GASKET
2	4404020111	LID GASKET	15	4404020203	2" FITTING + GASKET
3	4404020108	LID RING UNIT	16	4404020112	CONCAVE GASKET 1 1/2"
4	4404020116	O' RING 255x4	16	4404020211	CONCAVE GASKET 2"
5	4404020101	PRESSURE GAUGE UNIT 1/8"	17	4404301902	GASKETS + NUT D.50
6	4404010103	PRESSURE GAUGE 1/8" 3 KG./CM	17	4404301903	GASKETS + NUT D.63
7	4404160809	20-SCREW NECK RING	18	4404301901	O RING D.56,3X5,3 EPDM65
8	4404160847	FILTER LID D. 220 BLACK	19	4404161535	STRAINER 0,5 mm
9	4404260106	VALVE TOP RING FIXING GASKET	20	04973R0062	DIFFUSER ASSEMBLY PTK 1200 D.650
10	4404160849	LIF FIXING RING	20	04962R0062	DIFFUSER ASSEMBLY PTK 1200 D.800
11	4404040113	DRAIN PLUG AND GASKET	21	04973R0061	COLLECTOR ASSEMBLY PTK 1200 D.650
12	4404161510	FILTER VISOR WITH GASKET	21	04962R0061	COLLECTOR ASSEMBLY PTK 1200 D.800
13	4404301916	O' RING D. 110,5X5,6	22	70107R06016	SCREW M6X16 DIN 912
14	4404010108	WATER PURGE 3/8"			

FRANÇAIS

POS.	CODE	DESCRIPTION	POS.	CODE	DESCRIPTION
1	4404020102	COUVERCLE RAPID COMPLET	15	4404020103	RACCORD 1 1/2" + JOINT CONCAVE
2	4404020111	JOINT DE COUVERCLE	15	4404020203	RACCORD 2" + JOINT
3	4404020108	BRIDE DE COUVERCLE COMPLETE	16	4404020112	JOINT CONCAVE 1 1/2"
4	4404020116	JOINT TORIQUE 255x4	16	4404020211	JOINT CONCAVE 2"
5	4404020101	MANOMETRE 1/8" COMPLET	17	4404301902	RACCORD + ECROU D.50
6	4404010103	MANOMETRE 1/8" 3 KG./CM	17	4404301903	RACCORD + ECROU D.63
7	4404160809	BRIDE GORGE 20 VIS	18	4404301901	JOINT TORIQUE RACCORD SORTIE D.56,3X5,3 EPDM 65
8	4404160847	COUVERCLE FILTRE D. 220 NOIR	19	4404161535	CREPINE 0,5 mm
9	4404260106	JOINT BRIDE FIXATION VANNE TOP	20	04973R0062	ENSEMBLE DIFFUSEUR PTK 1200 D.650
10	4404160849	BRIDE DE FIXATION COUVERCLE	20	04962R0062	ENSEMBLE DIFFUSEUR PTK 1200 D.800
11	4404040113	BOUCHON PURGE ET JOINT	21	04973R0061	ENSEMBLE COLLECTEUR PTK 1200 D.650
12	4404161510	VOYANT FILTRE ET JOINT	21	04962R0061	ENSEMBLE COLLECTEUR PTK 1200 D.800
13	4404301916	JOINT TORIQUE D 110,5X5,6	22	70107R06016	VIS M6X30 DIN 912
14	4404010108	PURGE D'EAU 3/8"			

ITALIANO

POS.	CODE	DESCRIPTION	POS.	CODE	DESCRIPTION
1	4404020102	COPERCHIO RAPID COMPLETO	15	4404020103	RACCORDO 1 1/2" + GUAR. CONCAVA
2	4404020111	GUARNIZIONE COPERCHIO	15	4404020203	RACCORDO 2" + GUARNIZIONE
3	4404020108	FLANGIA COPERCHIO COMPLETO	16	4404020112	GUARNIZIONI CONCAVA 1 1/2"
4	4404020116	O-RING 255x4	16	4404020211	GUARNIZIONI CONCAVA 2"
5	4404020101	MANOMETRO 1/8" COMPLETO	17	4404301902	MANICOTTO + GHIERA IN COLLAGGIO D. 50
6	4404010103	MANOMETRO 1/8" 3 KG./CM	17	4404301903	MANICOTTO + GHIERA IN COLLAGGIO D. 63
7	4404160809	ANELLO COLLO 20 VITI	18	4404301901	O-RING RACCORDO USCITA D.56,3X5,3 EPDM 65
8	4404160847	COPERCHIO FILTRO D. 220 NERO	19	4404161535	DIFFUSORE 0,5 mm
9	4404260106	GUARNIZIONE FLANGIA FISSAGGIO VALVOLE TOP	20	04973R0062	RACCORDO DIFFUSORE PTK 1200 D.650
10	4404160849	FLANGIA FISSAGGIO COPERCHIO	20	04962R0062	RACCORDO DIFFUSORE PTK 1200 D.800
11	4404040113	TAPPO SPURGO E GUARNIZIONE	21	04973R0061	KIT COLLETTORE PTK 1200 D.650
12	4404161510	SPIONCINO FILTRI E GUARNIZIONE	21	04962R0061	KIT COLLETTORE PTK 1200 D.800
13	4404301916	O-RING D 110,5X5,6	22	70107R06016	VITE M6X16 DIN 912
14	4404010108	SCARICO ACQUA 3/8"			

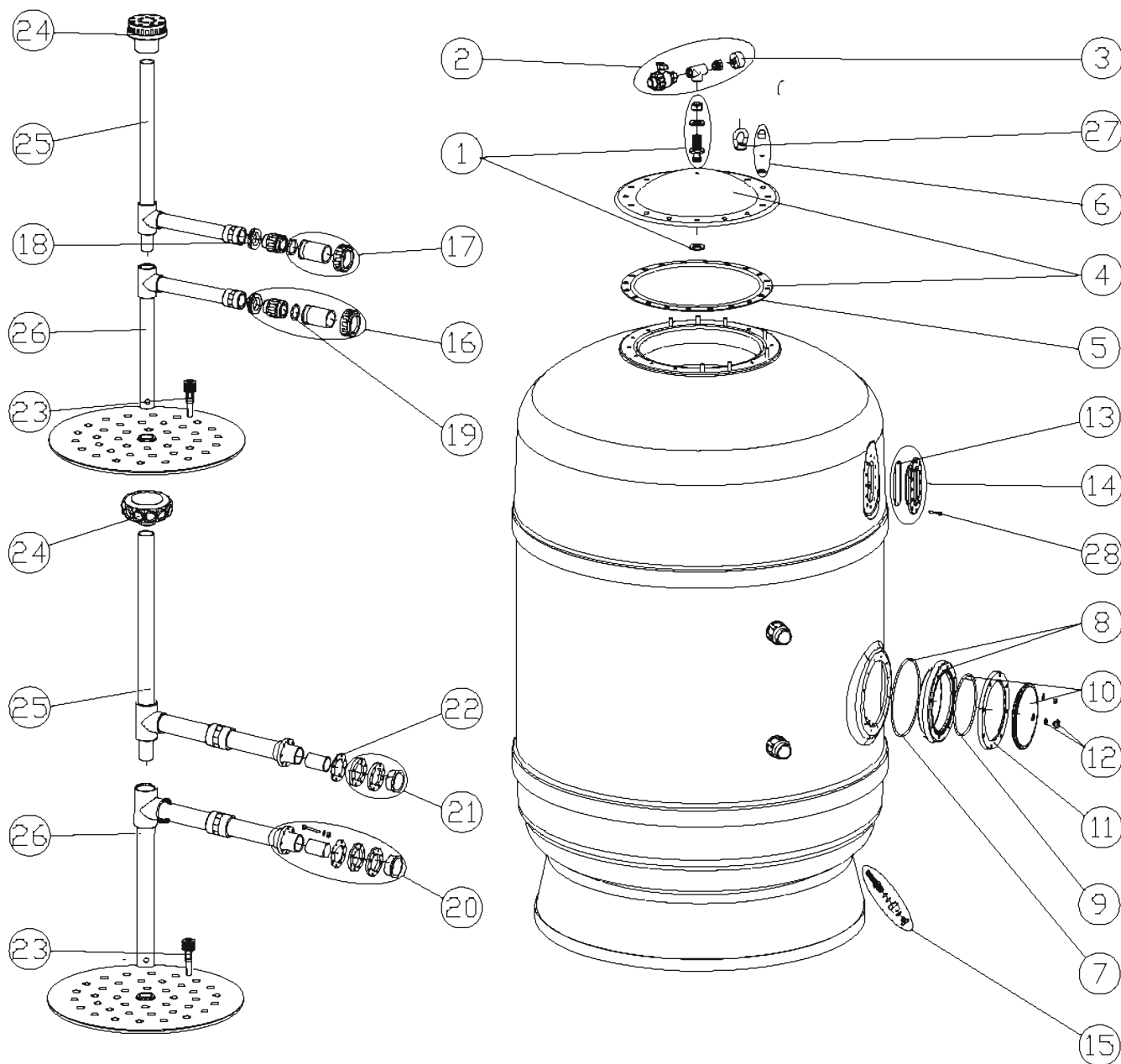
DEUTSCH

POS.	CODE	DESCRIPTION	POS.	CODE	DESCRIPTION
1	4404020102	DECKEL RAPID KOMPLETT	15	4404020103	BEHÄLTERVERSCHRAUBUNGSSATZ 1 1/2"
2	4404020111	DECKELDICHTUNG	15	4404020203	BEHÄLTERVERSCHRAUBUNGSSATZ 2"
3	4404020108	EINSATZ RAPID DECKEL KOMPLETT	16	4404020112	DICHTUNGEN GEWÖLBT 1 1/2"
4	4404020116	O-RING 255x4	16	4404020211	DICHTUNGEN GEWÖLBT 2"
5	4404020101	MANOMETER 1/8" KOMPLETT	17	4404301902	MUFFE+ MUTTER D.50
6	4404010103	MANOMETER 1/8" 3 KG./CM	17	4404301903	MUFFE+ MUTTER D.63
7	4404160809	ANSATZRING 20 SCHRAUBEN	18	4404301901	O-RING D.56,3X5,3 EPDM 65
8	4404160847	FILTERDECKEL D. 220 SCHWARZ	19	4404161535	CREPINA 0,5 mm
9	4404260106	DICHTUNG FÜR BEFESTIGUNGSRING TOP-VENTIL	20	04973R0062	ÖBERER WASSERVERTEILER PTK 1200 D.650
10	4404160849	BLENDENSATZ DECKEL	20	04962R0062	ÖBERER WASSERVERTEILER PTK 1200 D.800
11	4404040113	KAPPE ENTLERUNG UND DICHTUNG	21	04973R0061	UNTERER WASSERVERTEILER PTK 1200 D.650
12	4404161510	SCHAUGLAS FILTER UND DICHTUNG	21	04962R0061	UNTERER WASSERVERTEILER PTK 1200 D.800
13	4404301916	O-RING D 110,5X5,6	22	70107R06016	SCHRAUBE M6X16 DIN 912
14	4404010108	ENTLEERUNGSSATZ FILTER 3/8"			

PORTUGUÊS

POS.	CODE	DESCRIPTION	POS.	CODE	DESCRIPTION
1	4404020102	TAMPA RÁPIDA COMPLETA	15	4404020103	RACORD 1 1/2" + JUNTA CONCAVA
2	4404020111	JUNTA TAMPA	15	4404020203	RACORD 2" + JUNTA
3	4404020108	ARO TAMPA COMPLETO	16	4404020112	JUNTA CONCAVA 1 1/2"
4	4404020116	JUNTA TÓRICA 255x4	16	4404020211	JUNTA CONCAVA 2"
5	4404020101	MANOMETRO 1/8" COMPLETO	17	4404301902	UNIÃO + PORCA D.50
6	4404010103	MANOMETRO 1/8" 3 KG./CM	17	4404301903	UNIÃO + PORCA D.63
7	4404160809	ARO PESCOCOÇO 20 PARAFUSOS	18	4404301901	JUNTA TÓRICA D.56,3X5,3 EPDM 65
8	4404160847	TAMPA FILTRO D.220 NEGRA	19	4404161535	RALO 0,5 mm
9	4404260106	JUNTA ARO FIXAÇÃO VALVULA TOP	20	04973R0062	DIFUSOR PTK 1000 D.650
10	4404160849	ARO FIXAÇÃO TAMPA	20	04962R0062	DIFUSOR PTK 1200 D.800
11	4404040113	TAMPÃO PURGA E JUNTA	21	04973R0061	CONJ. COLECTOR PTK 1200 D.650
12	4404161510	VIGIA FILTRO COM JUNTA	21	04962R0061	CONJ. COLECTOR PTK 1200 D.800
13	4404301916	JUNTA TÓRICA D110,5X5,6	22	70107R06016	PARAFUSO M6X16 DIN 912
14	4404010108	PURGA AGUA 3/8"			

CODIGO : 04964 04975
DESCRIPCION : FILTROS PTK CREPINAS 1200 M/M. D. 1000 - 1200



Pos.	CODIGO	DENOMINACION	Pos.	CODIGO	DENOMINACION
1	4404302001	CONEXION PARA MANOMETRO	17	4404302702	TUERCA ENLACE 3 PIEZAS D.75
2	4404302002	C.JTO. MANOMETRO PURGA	18	4404190112	JUNTA CONCAVA 2 1/2"
3	4404180405	MANOMETRO 1/8 3BAR	19	4404302703	JUNTA ENLACA 2 1/2"
4	4404161514	TAPA FILTRO + JUNTA	20	4404161453	CJTO. ENTRADA SALIDA D.90
5	4404160101	JUNTA TORICA TAPA	21	4404160111	BRIDA RACORD 90+MANGUITO
8	4404260211	TORNILLERIA TAPA	22	4404302004	JUNTA PLANA 181X112X5
7	4404020118	JUNTA TORICA 255X4	23	4404161535	CREPINA 0,5 MM
8	4404160809	ARO CUELLO 20 TORNILLOS	24	4404190324	CONO DIFUSOR D.75
9	4404260106	JUNTA ARO FIJACION VALVULA	24	S-152	DIFUSOR D. 110 8 SALIDAS
10	4404180847	TAPA FILTRO D. 220 NEGRA	25	04984R0082	CONJ.DIFUSOR D.1000 - 1200
11	4404180849	ARO FIJACION TAPA	25	04975R0080	CONJ.DIFUSOR D.1200 - 1200
12	4404040113	TAPON PURGA Y JUNTA	26	04984R0061	CONJ.COLECTOR D.1000 - 1200
13	4404301916	JUNTA MIRILLA	26	04975R0081	CONJ.COLECTOR D.1200 - 1200
14	4404161510	MIRILLA FILTRO CON JUNTA	27	00545R0210	CANCAMO M-12
15	4404010108	PURGA AGUA 3/8"	28	70207R08016	TORNILLO DIN-912 M-6X16
16	4404302701	CONJUNTO SALIDA 2 1/2" - 75			

ENGLISH

POS.	CODE	DESCRIPTION	POS.	CODE	DESCRIPTION
1	4404302001	CONNECTION MANOMETER	17	4404302702	3 PIECE CONNECTION 75
2	4404302002	SET MANOMETER AND DRAIN	18	4404190112	CONCAVE GASKET 2 1/2"
3	4404180405	PRESSURE GAUGE 1/8" 3 KG./CM	19	4404302703	GASKET 2 1/2"
4	4404161514	FILTER LID + GASKET	20	4404161453	KIT INLET/ONTLET D.90-1050-1200-1400
5	4404160101	LID 'O' RING	21	4404160111	FLANGE FITTING 90 + FITTING
6	4404260211	FILTER LID BOLTS	22	4404302004	FLAT GASKET 181X112X5
7	4404020116	O' RING 255x4	23	4404161535	STRAINER 0,5 mm
8	4404160809	20-SCREW NECK RING	24	4404190324	DIFFUSER CONE D. 75
9	4404260106	VALVE TOP RING FIXING GASKET	24	S-152	DIFFUSER D.110 8 OUTLETS
10	4404160847	FILTER LID D. 220 BLACK	25	04964R0062	DIFFUSER ASSEMBLY PTK 1200 D.1000
11	4404160849	LIF FIXING RING	25	04975R0060	DIFFUSER ASSEMBLY PTK 1200 D.1200
12	4404040113	DRAIN PLUG AND GASKET	26	04964R0061	COLLECTOR ASSEMBLY PTK 1200 D.1000
13	4404301916	O' RING D. 110,5X5,6	26	04975R0061	COLLECTOR ASSEMBLY PTK 1200 D.1200
14	4404161510	FILTER VISOR WITH GASKET	27	00545R0210	EYE NUT M12
15	4404010108	WATER PURGE 3/8"	28	70207R06016	SCREW M6X16 DIN 912
16	4404302701	2 1/2" - D.75 OUTLET ASSEMBLY			

FRANÇAIS

POS.	CODE	DESCRIPTION	POS.	CODE	DESCRIPTION
1	4404302001	CONNEXION POUR MANOMETRE	17	4404302702	ECROU RACCORD 3 PIECES 75
2	4404302002	ENSEMBLE MANOMETRE PURGE	18	4404190112	JOINT CONCAVE 2 1/2"
3	4404180405	MANOMETRE 1/8" 3 KG./CM	19	4404302703	JOINT 2 1/2"
4	4404161514	COUVERCLE FILTRE + JOINT	20	4404161453	ENTRÉE SORTIE D.90-1050-1200-1400
5	4404160101	JOINT TORIQUE COUVERCLE	21	4404160111	BRIDE RACCORD 90 + RACCORD
6	4404260211	VISSERIE COUVERCLE DE FILTRE	22	4404302004	JOINT PLAT 181X112X5
7	4404020116	JOINT TORIQUE 255x4	23	4404161535	CREPINE 0,5 mm
8	4404160809	BRIDE GORGE 20 VIS	24	4404190324	DIFUSOR CONIQUE SUPÉRIOR D. 75
9	4404260106	JOINT BRIDE FIXATION VANNE TOP	24	S-152	DIFUSOR D. 110
10	4404160847	COUVERCLE FILTRE D. 220 NOIR	25	04964R0062	ENSEMBLE DIFFUSEUR PTK 1200 D.1000
11	4404160849	BRIDE DE FIXATION COUVERCLE	25	04975R0060	ENSEMBLE DIFFUSEUR PTK 1200 D.1200
12	4404040113	BOUCHON PURGE ET JOINT	26	04964R0061	ENSEMBLE COLLECTEUR PTK 1200 D.1000
13	4404301916	JOINT TORIQUE D 110,5X5,6	26	04975R0061	ENSEMBLE COLLECTEUR PTK 1200 D.1200
14	4404161510	VOYANT FILTRE ET JOINT	27	00545R0210	SUSPENSION DE POULIE
15	4404010108	PURGE D'EAU 3/8"	28	70207R06016	VIS M6X30 DIN 912
16	4404302701	ENSEMBLE SORTIE 2 1/2" - D.75			

ITALIANO

POS.	CODE	DESCRIPTION	POS.	CODE	DESCRIPTION
1	4404302001	COLLEGAMENTO PER MANOMETRO	17	4404302702	GHIERA BOCCHETONE 75
2	4404302002	KIT SFIATO MANOMETRO	18	4404190112	GUARNIZIONI CONCAVA 2 1/2"
3	4404180405	MANOMETRO 1/8" 3 KG./CM	19	4404302703	GUARNIZIONE D.2 1/2"
4	4404161514	COPERCHIO FILTRO + GUARNIZIONE	20	4404161453	KIT ENTRATA USCITA D.90-1050-1200-1400
5	4404160101	O-RING COPERCHIO	21	4404160111	FLANGIA RACCORDO 90 + MANICOTTO
6	4404260211	BULLONERIA COPERCHIO FILTRO	22	4404302004	GUARNIZIONE PIANA 181X112X5
7	4404020116	O-RING 255x4	23	4404161535	DIFFUSORE 0,5 mm
8	4404160809	ANELLO COLLO 20 VITI	24	4404190324	CONO DIFFUSORE D. 75
9	4404260106	GUARNIZIONE FLANGIA FISSAGGIO VALVOLE TOP	24	S-152	DIFFUSORE D. 110
10	4404160847	COPERCHIO FILTRO D. 220 NERO	25	04964R0062	RACCORDO DIFFUSORE PTK 1200 D.1000
11	4404160849	FLANGIA FISSAGGIO COPERCHIO	25	04975R0060	RACCORDO DIFFUSORE PTK 1200 D.1200
12	4404040113	TAPPO SPURGO E GUARNIZIONE	26	04964R0061	KIT COLLETTORE PTK 1200 D.1000
13	4404301916	O-RING D 110,5X5,6	26	04975R0061	KIT COLLETTORE PTK 1200 D.1200
14	4404161510	SPIONCINO FILTRI E GUARNIZIONE	27	00545R0210	ANELLO DI SOLLEVAMENTO M 12
15	4404010108	SCARICO ACQUA 3/8"	28	70207R06016	VITE M6X16 DIN 912
16	4404302701	GRUPPO USCITA 2 1/2" - D.75			

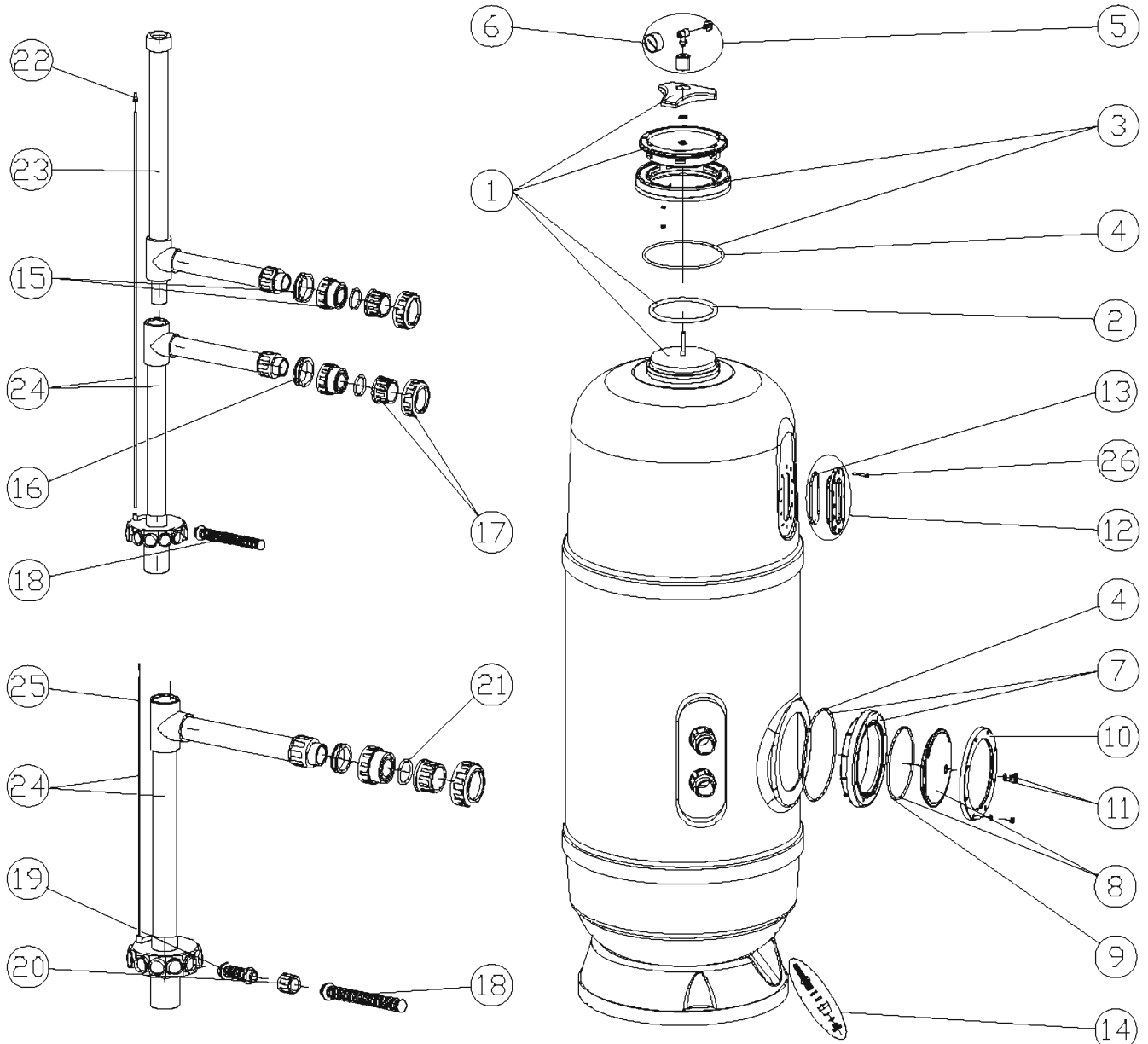
DEUTSCH

POS.	CODE	DESCRIPTION	POS.	CODE	DESCRIPTION
1	4404302001	MANOMETERANSCHLUSS	17	4404302702	3-TEILIGER ANSCHLUSS 75
2	4404302002	SET MANOMETER UND ENTLÜFTUNG	18	4404190112	DICHTUNGEN GEWÖBLT 2 1/2"
3	4404180405	MANOMETER 1/8" 3 KG./CM	19	4404302703	DICHTUNG 2 1/2"
4	4404161514	DECKEL + DICHTUNG	20	4404161453	KIT EINLANF/ANSLANF D.90-1050-1200-1400
5	4404160101	DICHTUNG DECKEL	21	4404160111	ANSCHLUSSSATZ D90
6	4404260211	SCHRAUBENSATZ DECKEL	22	4404302004	FLACHDICHTUNG 181X112X5
7	4404020116	O-RING 255x4	23	4404161535	CREPINA 0,5 mm
8	4404160809	ANSATZRING 20 SCHRAUBEN	24	4404190324	VERTEILER KONUS D. 75
9	4404260106	DICHTUNG FÜR BEFESTIGUNGSRING TOP-VENTIL	24	S-152	VERTEILER D. 110
10	4404160847	FILTERDECKEL D. 220 SCHWARZ	25	04964R0062	ÖBERER WASSERVERTEILER PTK 1200 D.1000
11	4404160849	BLENDENSATZ DECKEL	25	04975R0060	ÖBERER WASSERVERTEILER PTK 1200 D.1200
12	4404040113	KAPPE ENTLERUNG UND DICHTUNG	26	04964R0061	UNTERER WASSERVERTEILER PTK 1200 D.1000
13	4404301916	O-RING D 110,5X5,6	26	04975R0061	UNTERER WASSERVERTEILER PTK 1200 D.1200
14	4404161510	SCHAUGLAS FILTER UND DICHTUNG	27	00545R0210	RINGBOLZEN M-12
15	4404010108	ENTLEERUNGSSATZ FILTER 3/8"	28	70207R06016	SCHRAUBE M6X16 DIN 912
16	4404302701	SET AUSLAUF 2 1/2" - D.75			

PORTUGUÊS

POS.	CODE	DESCRIPTION	POS.	CODE	DESCRIPTION
1	4404302001	LIGAÇÃO PARA MANOMETRO	17	4404302702	PORCA UNIAO 3 PEÇAS 75
2	4404302002	CJTO. MANOMETRO VALVULA	18	4404190112	JUNTA CONCÁVA 2 1/2"
3	4404180405	MANOMETRO 1/8" 3 KG./CM	19	4404302703	JUNTA 2 1/2"
4	4404161514	TAMPA FILTRO + JUNTA	20	4404161453	CJTO. ENTRATA/SAIDA D.90-1050-1200-1400
5	4404160101	JUNTA TÓRICA TAMPA	21	4404160111	FLANGE RACORD 90 + UNIÃO
6	4404260211	PARAFUSOS TAMPA FILTRO	22	4404302004	JUNTA PLANA 181X112X5
7	4404020116	JUNTA TÓRICA 255x4	23	4404161535	RALO 0,5 mm
8	4404160809	ARO PESCOÇO 20 PARAFUSOS	24	4404190324	CONO DIFUSOR D. 75
9	4404260106	JUNTA ARO FIXAÇÃO VALVULA TOP	24	S-152	DIFUSOR D. 110
10	4404160847	TAMPA FILTRO D.220 NEGRA	25	04964R0062	DIFUSOR PTK 1200 D.1000
11	4404160849	ARO FIXAÇÃO TAMPA	25	04975R0060	DIFUSOR PTK 1200 D.1200
12	4404040113	TAMPÃO PURGA E JUNTA	26	04964R0061	CONJ. COLECTOR PTK 1200 D.1000
13	4404301916	JUNTA TÓRICA D110,5X5,6	26	04975R0061	CONJ. COLECTOR PTK 1200 D.1200
14	4404161510	VIGIA FILTRO COM JUNTA	27	00545R0210	SUPORTE P/GRUA
15	4404010108	PURGA AGUA 3/8"	28	70207R06016	PARAFUSO M6X16 DIN 912
16	4404302701	CONJUNTO SAÍDA 2 1/2" - D.75			

CODIGO : 04972 04949
DESCRIPCION : FILTROS PTK 1200 M/M. D. 650 - 800



Pos.	CODIGO	DENOMINACION	Pos.	CODIGO	DENOMINACION
1	4404020102	TAPA RAPID COMPLETA	16	4404020211	JUNTA CONCAVA 2"
2	4404020111	JUNTA TAPA	17	4404301802	ENLACE 1 1/2"
3	4404020108	ARO TAPA COMPLETO	17	4404301903	ENLACE 2"
4	4404020116	JUNTA TORICA 255X4	18	4404300916	BRAZO COLECTOR 1" 225 M/M.
5	4404020101	MANOMETRO 1/8" COMPLETO	18	4404300915	BRAZO COLECTOR 1" 175 M/M.
6	4404010103	MANOMETRO 1/8" 3KG/CM.	19	4404260419	BRAZO COLECTOR 1" 100 MM.
7	4404160809	ARO CUELLO 20 TORNILLOS	20	4404260418	MANGUITO ENLACE UNION 1"
8	4404160847	TAPA FILTRO D.220 NEGRA	21	4404301901	JUNTA ENLACE 1 1/2" - 2"
9	4404280108	JUNTA ARO FIJACION VALVULA	22	4404040108	PURGA AIRE
10	4404160849	ARO FIJACION TAPA	23	04972R0062	CONJ.DIFUSOR D.650 - 1200
11	4404040113	TAPON PURGA Y JUNTA	23	04949R0062	CONJ.DIFUSOR D.800 - 1200
12	4404161510	MIRILLA FILTRO CON JUNTA	24	04972R0061	CONJ.COLECTOR D.650 - 1200
13	4404301816	JUNTA MIRILLA	24	04949R0061	CONJ.COLECTOR D.800 - 1200
14	4404010108	PURGA AGUA 3/8"	25	04975R1350	TUBO PURGA AIRE D.650 - 1200
15	4404020103	RACORD 1 1/2"+JUNTA CONCAVA	25	04975R1363	TUBO PURGA AIRE D.800 - 1200
15	4404020203	RACORD 2"+JUNTA CONCAVA	26	70107R06018	TORNILLO DIN-912 M-6X16
16	4404020112	JUNTA CONCAVA 1 1/2"			

ENGLISH

POS.	CODE	DESCRIPTION	POS.	CODE	DESCRIPTION
1	4404020102	QUICK CLOSING LID UNIT	16	4404020211	CONCAVE GASKET 2"
2	4404020111	LID GASKET	17	4404301902	GASKETS + NUT D.50
3	4404020108	LID RING UNIT	17	4404301903	GASKETS + NUT D.63
4	4404020116	O' RING 255x4	18	4404300916	MANIFOLD ARM 1" 225 mm
5	4404020101	PRESSURE GAUGE UNIT 1/8"	18	4404300915	MANIFOLD ARM 1" 175 mm
6	4404010103	PRESSURE GAUGE 1/8" 3 KG./CM	19	4404260419	MANIFOLD ARM 1" 100 mm
7	4404160809	20-SCREW NECK RING	20	4404260418	UNION 1"
8	4404160847	FILTER LID D. 220 BLACK	21	4404301901	O RING D.56,3X5,3 EPDM65
9	4404260106	VALVE TOP RING FIXING GASKET	22	4404040108	AIR PURGE
10	4404160849	LIF FIXING RING	23	04972R0062	DIFFUSER ASSEMBLY PTK 1200 D.650
11	4404040113	DRAIN PLUG AND GASKET	23	04949R0062	DIFFUSER ASSEMBLY PTK 1200 D.800
12	4404161510	FILTER VISOR WITH GASKET	24	04972R0061	COLLECTOR ASSEMBLY PTK 1200 D.650
13	4404301916	O' RING D. 110,5X5,6	24	04949R0061	COLLECTOR ASSEMBLY PTK 1200 D.800
14	4404010108	WATER PURGE 3/8"	25	04975R1350	AIR RELIEF PIPE
15	4404020103	1 1/2" FITTING + CONCAVE GASKET	25	04975R1363	AIR RELIEF PIPE
15	4404020203	2" FITTING + GASKET	26	70207R06016	SCREW M6X16 DIN 912
16	4404020112	CONCAVE GASKET 1 1/2"			

FRANÇAIS

POS.	CODE	DESCRIPTION	POS.	CODE	DESCRIPTION
1	4404020102	COUVERCLE RAPID COMPLET	16	4404020211	JOINT CONCAVE 2"
2	4404020111	JOINT DE COUVERCLE	17	4404301902	RACCORD + ECROU D.50
3	4404020108	BRIDE DE COUVERCLE COMPLETE	17	4404301903	RACCORD + ECROU D.63
4	4404020116	JOINT TORIQUE 255x4	18	4404300916	BRAS DE REPARTITEUR 1" 225mm
5	4404020101	MANOMETRE 1/8" COMPLET	18	4404300915	BRAS DE REPARTITEUR 1" 175mm
6	4404010103	MANOMETRE 1/8" 3 KG./CM	19	4404260419	BRAS DE REPARTITEUR 1" 100mm
7	4404160809	BRIDE GORGE 20 VIS	20	4404260418	MANCHON UNION 1"
8	4404160847	COUVERCLE FILTRE D. 220 NOIR	21	4404301901	JOINT TORIQUE RACCORD SORTIE D.56,3X5,3 EPDM 65
9	4404260106	JOINT BRIDE FIXATION VANNE TOP	22	4404040108	PURGE D'AIR
10	4404160849	BRIDE DE FIXATION COUVERCLE	23	04972R0062	ENSEMBLE DIFFUSEUR PTK 1200 D.650
11	4404040113	BOUCHON PURGE ET JOINT	23	04949R0062	ENSEMBLE DIFFUSEUR PTK 1200 D.800
12	4404161510	VOYANT FILTRE ET JOINT	24	04972R0061	ENSEMBLE COLLECTEUR PTK 1200 D.650
13	4404301916	JOINT TORIQUE D 110,5X5,6	24	04949R0061	ENSEMBLE COLLECTEUR PTK 1200 D.800
14	4404010108	PURGE D'EAU 3/8"	25	04975R1350	TUBE PURGE
15	4404020103	RACCORD 1 1/2" + JOINT CONCAVE	25	04975R1363	TUBE PURGE
15	4404020203	RACCORD 2" + JOINT	26	70207R06016	VIS M6X30 DIN 912
16	4404020112	JOINT CONCAVE 1 1/2"			

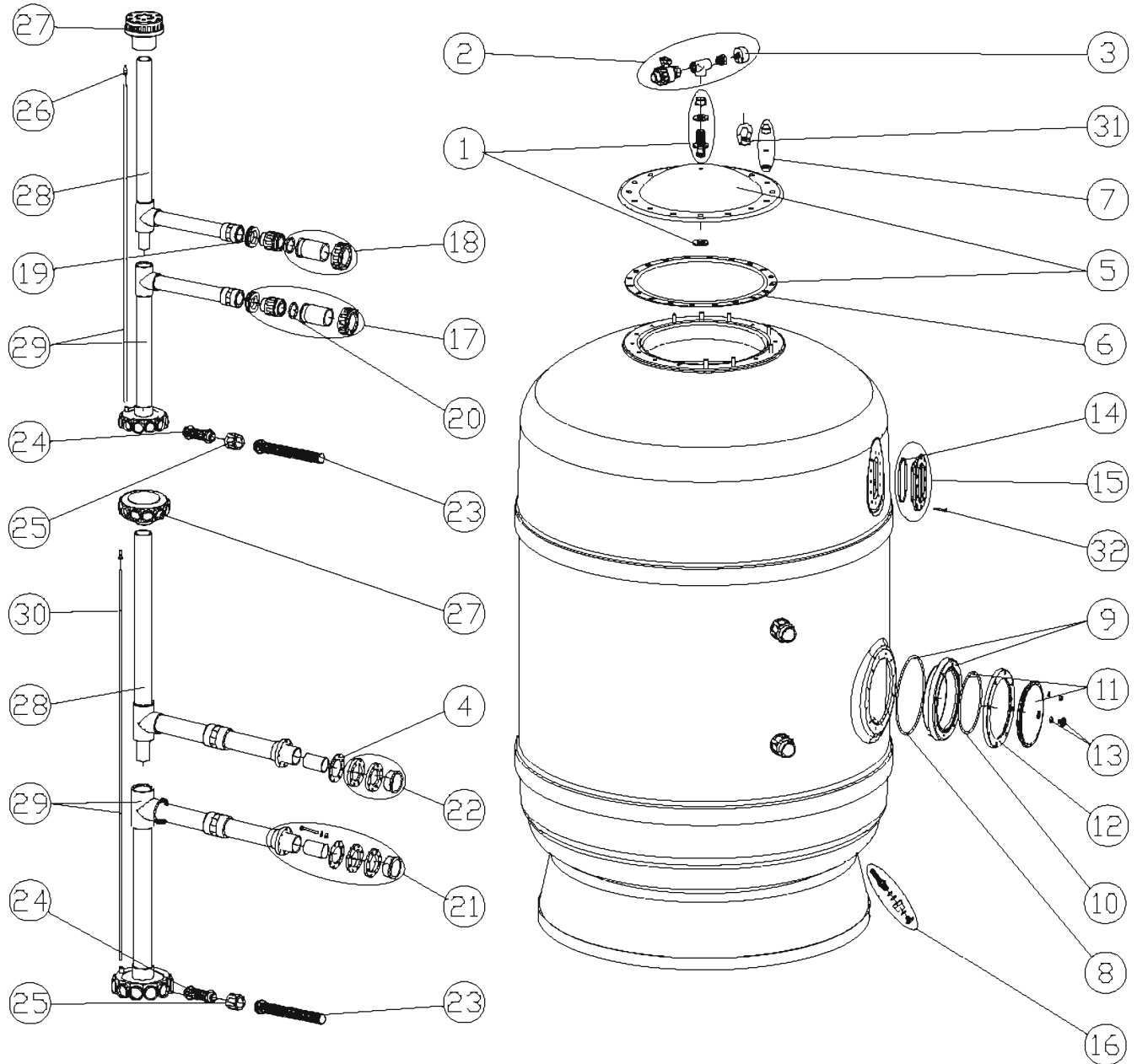
ITALIANO

POS.	CODE	DESCRIPTION	POS.	CODE	DESCRIPTION
1	4404020102	COPERCHIO RAPID COMPLETO	16	4404020211	GUARNIZIONI CONCAVA 2"
2	4404020111	GUARNIZIONE COPERCHIO	17	4404301902	MANICOTTO + GHIERA IN COLLAGGIO D. 50
3	4404020108	FLANGIA COPERCHIO COMPLETO	17	4404301903	MANICOTTO + GHIERA IN COLLAGGIO D. 63
4	4404020116	O-RING 255x4	18	4404300916	CANDELOTTO COLLECTORE 1" 225mm
5	4404020101	MANOMETRO 1/8" COMPLETO	18	4404300915	CANDELOTTO COLLECTORE 1" 175mm
6	4404010103	MANOMETRO 1/8" 3 KG./CM	19	4404260419	CANDELOTTO COLLECTORE 1" 100mm
7	4404160809	ANELLO COLLO 20 VITI	20	4404260418	MANICOTTO DA 1" PER CANDELOTTI
8	4404160847	COPERCHIO FILTRO D. 220 NERO	21	4404301901	O-RING RACCORDO USCITA D.56,3X5,3 EPDM 65
9	4404260106	GUARNIZIONE FLANGIA FISSAGGIO VALVOLE TOP	22	4404040108	SFIATO ARIA
10	4404160849	FLANGIA FISSAGGIO COPERCHIO	23	04972R0062	RACCORDO DIFFUSORE PTK 1200 D.650
11	4404040113	TAPPO SPURGO E GUARNIZIONE	23	04949R0062	RACCORDO DIFFUSORE PTK 1200 D.800
12	4404161510	SPIONCINO FILTRI E GUARNIZIONE	24	04972R0061	KIT COLLETTORE PTK 1200 D.650
13	4404301916	O-RING D 110,5X5,6	24	04949R0061	KIT COLLETTORE PTK 1200 D.800
14	4404010108	SCARICO ACQUA 3/8"	25	04975R1350	SPURGO
15	4404020103	RACCORDO 1 1/2" + GUAR. CONCAVA	25	04975R1363	SPURGO
15	4404020203	RACCORDO 2" + GUARNIZIONE	26	70207R06016	VITE M6X16 DIN 912
16	4404020112	GUARNIZIONI CONCAVA 1 1/2"			

DEUTSCH

POS.	CODE	DESCRIPTION	POS.	CODE	DESCRIPTION
1	4404020102	DECKEL RAPID KOMPLETT	16	4404020211	DICHTUNGEN GEWÖLBT 2"
2	4404020111	DECKELDICHTUNG	17	4404301902	MUFFE+ MUTTER D.50
3	4404020108	EINSATZ RAPID DECKEL KOMPLETT	17	4404301903	MUFFE+ MUTTER D.63
4	4404020116	O-RING 255x4	18	4404300916	FILTERSTERN SCHLITZROHR 1" 225mm
5	4404020101	MANOMETER 1/8" KOMPLETT	18	4404300915	FILTERSTERN SCHLITZROHR 1" 175mm
6	4404010103	MANOMETER 1/8" 3 KG./CM	19	4404260419	FILTERSTERN SCHLITZROHR 1" 100mm
7	4404160809	ANSATZRING 20 SCHRAUBEN	20	4404260418	MUFFE 1"
8	4404160847	FILTERDECKEL D. 220 SCHWARZ	21	4404301901	O-RING D.56,3X5,3 EPDM 65
9	4404260106	DICHTUNG FÜR BEFESTIGUNGSRING TOP-VENTIL	22	4404040108	FILTER ENTLÜFTUNG
10	4404160849	BLENDENSATZ DECKEL	23	04972R0062	OBERER WASSERVERTEILER PTK 1200 D.650
11	4404040113	KAPPE ENTLERUNG UND DICHTUNG	23	04949R0062	OBERER WASSERVERTEILER PTK 1200 D.800
12	4404161510	SCHAUGLAS FILTER UND DICHTUNG	24	04972R0061	UNTERER WASSERVERTEILER PTK 1200 D.650
13	4404301916	O-RING D 110,5X5,6	24	04949R0061	UNTERER WASSERVERTEILER PTK 1200 D.800
14	4404010108	ENTLEERUNGSSATZ FILTER 3/8"	25	04975R1350	WASSERENTLEERUNG
15	4404020103	BEHÄLTERVERSCHRAUBUNGSSATZ 1 1/2"	25	04975R1363	WASSERENTLEERUNG
15	4404020203	BEHÄLTERVERSCHRAUBUNGSSATZ 2"	26	70207R06016	SCHRAUBE M6X16 DIN 912
16	4404020112	DICHTUNGEN GEWÖLBT 1 1/2"			

CODIGO : 04963 04974
DESCRIPCION : FILTROS PTK 1200 M/M. D. 1000 - 1200



Pos.	CODIGO	DENOMINACION	Pos.	CODIGO	DENOMINACION
1	4404302001	CONEXION PARA MANOMETRO	20	4404302703	JUNTA ENLACA 2 1/2"
2	4404302002	C.JTO. MANOMETRO PURGA	21	4404161453	C.JTO. ENTRADA SALIDA D.90
3	4404180405	MANOMETRO 1/8 3BAR	22	4404160111	BRIDA RACORD 90+MANGUITO
4	4404302004	JUNTA PLANA 181X112X5	23	4404300916	BRAZO COLECTOR 1" 225 M/M.
5	4404161514	TAPA FILTRO + JUNTA	23	4404300915	BRAZO COLECTOR 1" 175 M/M.
6	4404160101	JUNTA TORICA TAPA	24	4404260419	BRAZO COLECTOR 1" 100 M/M.
7	4404260211	TORNILLERIA TAPA	25	4404260418	MANGUITO ENLACE UNION 1"
8	4404020116	JUNTA TORICA 255X4	26	4404040108	PURGA AIRE
9	4404160809	ARO CUELLO 20 TORNILLOS	27	4404190324	CONO DIFUSOR D.75
10	4404260106	JUNTA ARO FIJACION VALVULA	27	S-152	DIFUSOR D. 110 8 SALIDAS
11	4404160847	TAPA FILTRO D. 220 NEGRA	28	04963RD062	CONJ.DIFUSOR D.1000 - 1200
12	4404160849	ARO FIJACION TAPA	28	04974RD060	CONJ.DIFUSOR D.1200 - 1200
13	4404040113	TAPON PURGA Y JUNTA	29	04963R0061	CONJ.COLECTOR D.1000 - 1200
14	4404301916	JUNTA MIRILLA	29	04974R0061	CONJ.COLECTOR D.1200 - 1200
15	4404161510	MIRILLA FILTRO CON JUNTA	30	04975R1375	TUBO PURGA AIRE D.1000 - 1200
16	4404010108	PURGA AGUA 3/8"	30	04975R1350	TUBO PURGA AIRE D.1000 - 1200
17	4404302701	CONJUNTO SALIDA 2 1/2" - D.75	31	00545R0210	CANCAMO M12
18	4404302702	TUERCA ENLACE TRES PIEZAS D.75	32	70207R06016	TORNILLO DIN-912 M-6X16
19	4404190112	JUNTA CONCAVA 2 1/2"			

ENGLISH

POS.	CODE	DESCRIPTION	POS.	CODE	DESCRIPTION
1	4404302001	CONNECTION MANOMETER	20	4404302703	GASKET 2 1/2"
2	4404302002	SET MANOMETER AND DRAIN	21	4404161453	KIT INLET/ONTLET D.90-1050-1200-1400
3	4404180405	PRESSURE GAUGE 1/8" 3 KG./CM	22	4404160111	FLANGE FITTING 90 + FITTING
4	4404302004	FLAT GASKET 181X112X5	23	4404300916	MANIFOLD ARM 1" 225 mm
5	4404161514	FILTER LID + GASKET	23	4404300915	MANIFOLD ARM 1" 175 mm
6	4404160101	LID 'O' RING	24	4404260419	MANIFOLD ARM 1" 100 mm
7	4404260211	FILTER LID BOLTS	25	4404260418	UNION 1"
8	4404020116	O' RING 255x4	26	4404040108	AIR PURGE
9	4404160809	20-SCREW NECK RING	27	4404190324	DIFFUSER CONE D. 75
10	4404260106	VALVE TOP RING FIXING GASKET	27	S-152	DIFFUSER D.110 8 OUTLETS
11	4404160847	FILTER LID D. 220 BLACK	28	04963R0062	DIFFUSER ASSEMBLY PTK 1200 D.1000
12	4404160849	LIF FIXING RING	28	04974R0060	DIFFUSER ASSEMBLY PTK 1200 D.1200
13	4404040113	DRAIN PLUG AND GASKET	29	04963R0061	COLLECTOR ASSEMBLY PTK 1200 D.1000
14	4404301916	O' RING D. 110,5X5,6	29	04974R0061	COLLECTOR ASSEMBLY PTK 1200 D.1200
15	4404161510	FILTER VISOR WITH GASKET	30	04975R1375	AIR RELIEF PIPE
16	4404010108	WATER PURGE 3/8"	30	04975R1350	AIR RELIEF PIPE
17	4404302701	2 1/2" - D.75 OUTLET ASSEMBLY	31	00545R0210	EYE NUT M12
18	4404302702	3 PIECE CONNECTION 75	32	70207R06016	SCREW M6X16 DIN 912
19	4404190112	CONCAVE GASKET 2 1/2"			

FRANÇAIS

POS.	CODE	DESCRIPTION	POS.	CODE	DESCRIPTION
1	4404302001	CONNEXION POUR MANOMETRE	20	4404302703	JOINT 2 1/2"
2	4404302002	ENSEMBLE MANOMETRE PURGE	21	4404161453	ENTRÉE SORTIE D.90-1050-1200-1400
3	4404180405	MANOMETRE 1/8" 3 KG./CM	22	4404160111	BRIDE RACCORD 90 + RACCORD
4	4404302004	JOINT PLAT 181X112X5	23	4404300916	BRAS DE REPARTITEUR 1" 225mm
5	4404161514	COUVERCLE FILTRE + JOINT	23	4404300915	BRAS DE REPARTITEUR 1" 175mm
6	4404160101	JOINT TORIQUE COUVERCLE	24	4404260419	BRAS DE REPARTITEUR 1" 100mm
7	4404260211	VISSERIE COUVERCLE DE FILTRE	25	4404260418	MANCHON UNION 1"
8	4404020116	JOINT TORIQUE 255x4	26	4404040108	PURGE D'AIR
9	4404160809	BRIDE GORGE 20 VIS	27	4404190324	DIFUSOR CONIQUE SUPERIOR D. 75
10	4404260106	JOINT BRIDE FIXATION VANNE TOP	27	S-152	DIFUSOR D. 110
11	4404160847	COUVERCLE FILTRE D. 220 NOIR	28	04963R0062	ENSEMBLE DIFFUSEUR PTK 1200 D.1000
12	4404160849	BRIDE DE FIXATION COUVERCLE	28	04974R0060	ENSEMBLE DIFFUSEUR PTK 1200 D.1200
13	4404040113	BOUCHON PURGE ET JOINT	29	04963R0061	ENSEMBLE COLLECTEUR PTK 1200 D.1000
14	4404301916	JOINT TORIQUE D 110,5X5,6	29	04974R0061	ENSEMBLE COLLECTEUR PTK 1200 D.1200
15	4404161510	VOYANT FILTRE ET JOINT	30	04975R1375	TUBE PURGE
16	4404010108	PURGE D'EAU 3/8"	30	04975R1350	TUBE PURGE
17	4404302701	ENSEMBLE SORTIE 2 1/2" - D.75	31	00545R0210	SUSPENSION DE POULIE
18	4404302702	ECROU RACCORD 3 PIECES 75	32	70207R06016	VIS M6X30 DIN 912
19	4404190112	JOINT CONCAVE 2 1/2"			

ITALIANO

POS.	CODE	DESCRIPTION	POS.	CODE	DESCRIPTION
1	4404302001	COLLEGAMENTO PER MANOMETRO	20	4404302703	GUARNIZIONE D.2 1/2"
2	4404302002	KIT SFIATO MANOMETRO	21	4404161453	KIT ENTRATA USCITA D.90-1050-1200-1400
3	4404180405	MANOMETRO 1/8" 3 KG./CM	22	4404160111	FLANGIA RACCORDO 90 + MANICOTTO
4	4404302004	GUARNIZIONE PIANA 181X112X5	23	4404300916	CANDELOTTO COLLECTORE 1" 225mm
5	4404161514	COPERCHIO FILTRO + GUARNIZIONE	23	4404300915	CANDELOTTO COLLECTORE 1" 175mm
6	4404160101	O-RING COPERCHIO	24	4404260419	CANDELOTTO COLLECTORE 1" 100mm
7	4404260211	BULLONERIA COPERCHIO FILTRO	25	4404260418	MANICOTTO DA 1" PER CANDELOTTI
8	4404020116	O-RING 255x4	26	4404040108	SFIATO ARIA
9	4404160809	ANELLO COLLO 20 VITI	27	4404190324	CONO DIFFUSORE D. 75
10	4404260106	GUARNIZIONE FLANGIA FISSAGGIO VALVOLE TOP	27	S-152	DIFFUSORE D. 110
11	4404160847	COPERCHIO FILTRO D. 220 NERO	28	04963R0062	RACCORDO DIFFUSORE PTK 1200 D.1000
12	4404160849	FLANGIA FISSAGGIO COPERCHIO	28	04974R0060	RACCORDO DIFFUSORE PTK 1200 D.1200
13	4404040113	TAPPO SPURGO E GUARNIZIONE	29	04963R0061	KIT COLLETTORE PTK 1200 D.1000
14	4404301916	O-RING D 110,5X5,6	29	04974R0061	KIT COLLETTORE PTK 1200 D.1200
15	4404161510	SPIONCINO FILTRI E GUARNIZIONE	30	04975R1375	SPURGO
16	4404010108	SCARICO ACQUA 3/8"	30	04975R1350	SPURGO
17	4404302701	GRUPPO USCITA 2 1/2" - D.75	31	00545R0210	ANELLO DI SOLLEVAMENTO M 12
18	4404302702	GHIERA BOCCHETONE 75	32	70207R06016	VITE M6X16 DIN 912
19	4404190112	GUARNIZIONI CONCAVA 2 1/2"			

DEUTSCH

POS.	CODE	DESCRIPTION	POS.	CODE	DESCRIPTION
1	4404302001	MANOMETERANSCHLUSS	20	4404302703	DICHTUNG 2 1/2"
2	4404302002	SET MANOMETER UND ENTLÜFTUNG	21	4404161453	KIT EINLANF/ANSLANF D.90-1050-1200-1400
3	4404180405	MANOMETER 1/8" 3 KG./CM	22	4404160111	ANSCHLUSSSATZ D90
4	4404302004	FLACHDICHTUNG 181X112X5	23	4404300916	FILTERSTERN SCHLITZROHR 1" 225mm
5	4404161514	DECKEL + DICHTUNG	23	4404300915	FILTERSTERN SCHLITZROHR 1" 175mm
6	4404160101	DICHTUNG DECKEL	24	4404260419	FILTERSTERN SCHLITZROHR 1" 100mm
7	4404260211	SCHRAUBENSATZ DECKEL	25	4404260418	MUFFE 1"
8	4404020116	O-RING 255x4	26	4404040108	FILTER ENTLÜFTUNG
9	4404160809	ANSATZRING 20 SCHRAUBEN	27	4404190324	VERTEILER KONUS D. 75
10	4404260106	DICHTUNG FÜR BEFESTIGUNGSRING TOP-VENTIL	27	S-152	VERTEILER D. 110
11	4404160847	FILTERDECKEL D. 220 SCHWARZ	28	04963R0062	OBERER WASSERVERTEILER PTK 1200 D.1000
12	4404160849	BLENDENSATZ DECKEL	28	04974R0060	OBERER WASSERVERTEILER PTK 1200 D.1200
13	4404040113	KAPPE ENTLERUNG UND DICHTUNG	29	04963R0061	UNTERER WASSERVERTEILER PTK 1200 D.1000
14	4404301916	O-RING D 110,5X5,6	29	04974R0061	UNTERER WASSERVERTEILER PTK 1200 D.1200
15	4404161510	SCHAUGLAS FILTER UND DICHTUNG	30	04975R1375	WASSERENTLEERUNG
16	4404010108	ENTLEERUNGSSATZ FILTER 3/8"	30	04975R1350	WASSERENTLEERUNG
17	4404302701	SET AUSLAUF 2 1/2" - D.75	31	00545R0210	RINGBOLZEN M-12
18	4404302702	3-TEILIGER ANSCHLUSS 75	32	70207R06016	SCHRAUBE M6X16 DIN 912
19	4404190112	DICHTUNGEN GEWÖLBT 2 1/2"			